



E Series

ETL Listed LED Slim Downlight w/
Seperate Junction Box 4"~11"



Project:
QTY:
Email:
Phone:

Overview:

The **E Series** is a high performance all-purpose downlight capable of creating active atmospheres ideal for home and businesses with ceilings up to 15' (feet).

Highlights:

- cETLus, Energy Star, IC Rated, Conforms to UL STD. 1598 , Certified to CSA STD. C22.2 NO.250.0, RoHS Mercury Free - this fixture has passed rigorous efficiency tests
- Requires only 2" of space allowing for installation into even the most narrow ceilings
- Vivid Tech offers high CRI ratings of >80% offering a richer, truer, and more natural light
- Included junction box saves you money and allows for simple plug-and-play installation
- TRIAC dimmable 10%~100% - dimmer compatibility listed below - no buzz, no hum
- White polycarbonate lens produces extremely low glare
- Suitable for damp locations - Watertight driver to light connector
- 3 year warranty

LED Chip Info	
Watt Usage:	9~24 watts
Color Temp:	3000K ~ 5000K
CRI:	>80%
Efficacy:	>90%
Lumen Per Watt:	75~95lm/w
Chip:	SMD2835
Beam Angle:	120°
Lifetime:	L70>50,000 hour

Driver Info	
Input Voltage:	90~130VAC
Power Factor:	>90%
Dimming Functions:	Triac-Dimmable 10%~100%

Characteristics	
Certifications:	ETL, Energy Star, IC Type, IC, UL STD. 1598, CSA STD. C22.2 NO.250.0
Warranty:	3 year limited warranty. For terms visit www.poliled.com/warranty
Construction	
Operating Temp. Range:	-40°F~113°F
Cut-Out Hole:	4"~11"
Housing:	Full aluminum body
Lens:	Low-Glare Poly Lens
IP rating:	Rated for Damp Locations



Dimmer Compatibility:

LUTRON: MACL-153M-WH, DVCL-153P, D-VLV-600P-WHCSA,

D-603PGH, AY-600P-WH-CSA, D-600P-WH

LEVITON: 6683-IW, 6633-POG, 6681-W, 6613-PLW, 6631, 6621

EATON: SAL06P

LUMIPRO: C-ACD-TP110, C-ACD-WP150

Most triac dimmers are compatible, this is a list of dimmers we tested.



LUMIPRO C-ACD-TP110
Wall touch panel power switch and dimmer control



FEIT C-ACD-WP150
Wall power switch and dimmer control



ETL Listed Product is certified by one of the world's most difficult quality control laboratories indicating superior performance and longevity.



3 Year Warranty We believe in our product quality and offer the warranty to prove it. Unlimited lifetime support is also included, call us anytime.



Energy Star Certified ES products are ensured to be cost-saving for your home and business and reduce emissions. Our products are required to have unbiased information.



Type IC This product can be placed directly into insulation ceilings with no harmful effects.



RoHS Compliant RoHS certifies a product to be free from hazardous materials such as lead, mercury, and others to ensure a safer environment.

Model Number	Wattage	Total Lumen Output	Replaces CFL= Fluorescent	Cut-Out Hole	Front Diameter	Height	Energy Cost (annual) based on 8 hrs/day Savings based off CFL Replacement
A-E4"-X9W-XXX	9	550	27.5W CFL	4.1"	4.75"	12mm	\$2.59 annually 67.28% Savings
A-E6"-X12W-XXX	12	800	40W CFL	6.1"	6.90"	12mm	\$3.46 annually 70% Savings
A-E8"-X18W-XXX	18	1530	76.5W CFL	8.1"	8.85"	12mm	\$6.62 annually 70% Savings
A-E11"-X24W-XXX	24	2040	102W CFL	11.1"	11.80"	12mm	\$8.823 annually 70% Savings

ORDERING

Example Model Number: A-E4"-R9W-D

After selecting model number and filling out top right information, send completed PDF to sales@poliledsigns.com or your dedicated sales representative

- **D**

Series	Cut-Out Diameter	Shape	Watt		Color	Dimmable
A-E	4" 4" diameter	R Round	9 9 Watts	24 24 Watts	WW 3000K Warm White DW 4000K Daylight White W 5000K Daylight White	D Triac-Dimmable Driver
	6" 6" diameter		12 12 Watts			
	8" 8" diameter	S Square	15 15 Watts			
	11" 11" diameter		18 18 Watts			





LUMIPRO® products are not made to produce light. They serve to enhance your living experience with tools to help you feel safe and relaxed at home while also improving productivity.

VIVID TECH features high CRI (Color Rendering Index) lighting fixtures that offer better, truer, richer, more natural and vibrant light. We accomplish this by using high quality chip manufacturers that conform to our high CRI specifications.

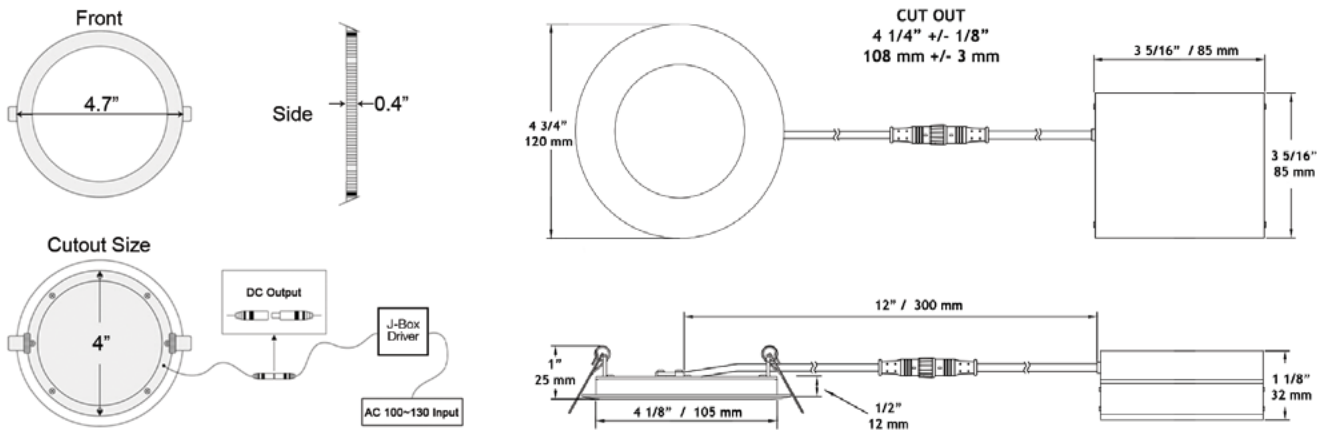
Live life the way it is meant to be experienced.



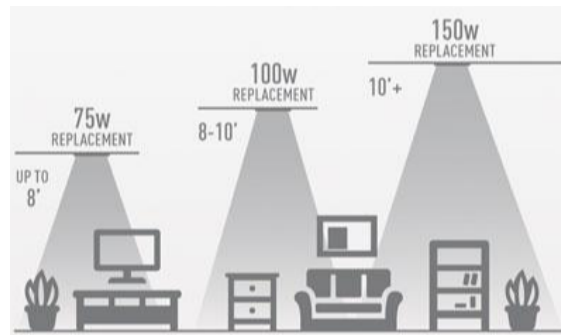
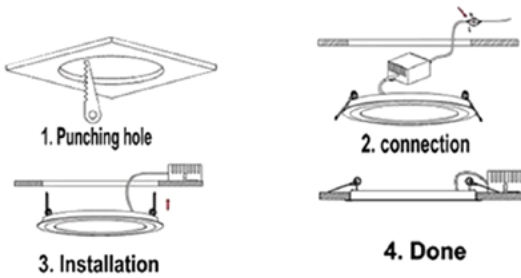
HIGH CRI >80%

LOW CRI LIGHTS

4" Dimensions - Wire Length Applicable For All Sizes



INSTALLATION



Measure exactly how many watts you need with this handy ceiling height chart.

For LED to be effective, you must use enough light to be able to match or exceed the brightness of your old lights. Rest assured, after replacements jobs such as reading, cooking, working all seem to be much easier.

Sample Area Photometric Data



Get a custom area photometric report based on your room dimensions.

Call **305.468.8986**

As a premier LED Lighting Wholesaler, we offer many tools to help complement your lighting installation.

- Custom Area Photometric Reports
- ROI Calculation
- Distributor Catalogs
- Full Online Web Ordering and Spec Sheet Downloads

4 INCH | 10'x10'x8' Room

Calculation Results

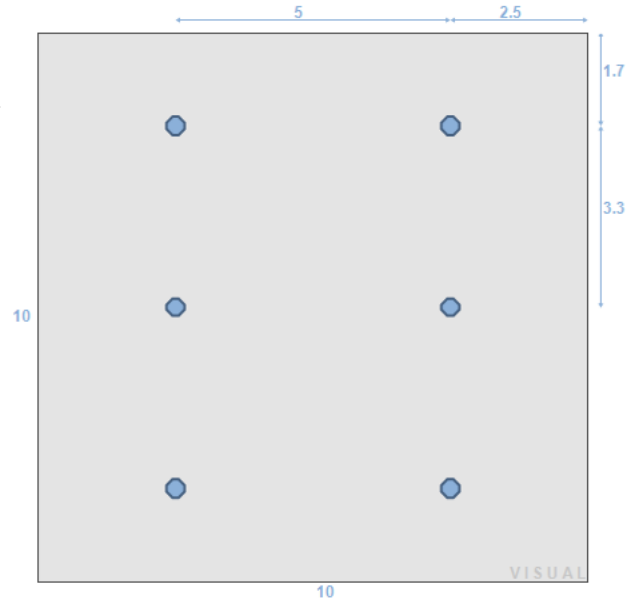
Illuminance 30 fc
Power Density 0.62 W/ft²
Quantity 6

Spacing Results

Spacing 5 x 3.3 ft
Arrangement 2 x 3
Offset X 2.34 ft
Offset Y 1.54 ft

Room Summary

Length 10 ft
Width 10 ft
Height 8 ft
Workplane 3 ft
Reflectances
Ceiling 80 %
Walls 50 %
Floor 20 %



6 INCH | 10'x10'x8' Room

Calculation Results

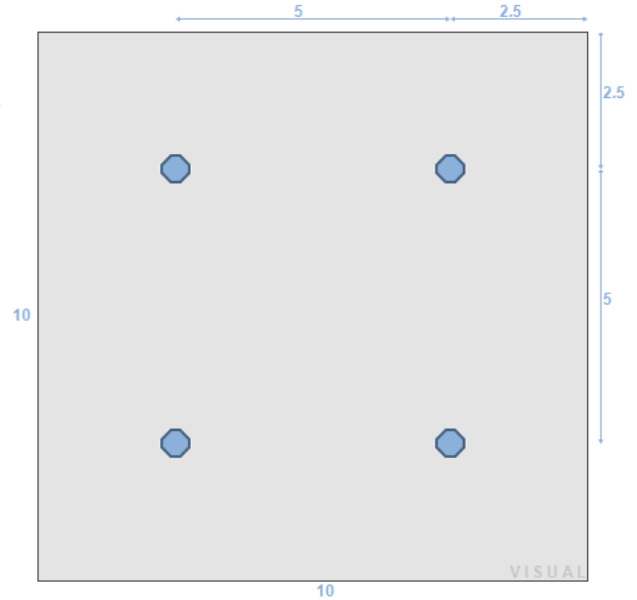
Illuminance 32 fc
Power Density 0.24 W/ft²
Quantity 16

Spacing Results

Spacing 25 x 25 ft
Arrangement 4 x 4
Offset X 12.11 ft
Offset Y 12.11 ft

Room Summary

Length 100 ft
Width 100 ft
Height 20 ft
Workplane 3 ft
Reflectances
Ceiling 80 %
Walls 50 %
Floor 20 %



8 INCH | 10'x10'x8' Room

Calculation Results

Illuminance 31 fc
Power Density 0.59 W/ft²
Quantity 3

Spacing Results

Spacing 0 x 3.3 ft
Arrangement 1 x 3
Offset X 4.75 ft
Offset Y 1.45 ft

Room Summary

Length 10 ft
Width 10 ft
Height 8 ft
Workplane 3 ft
Reflectances
Ceiling 80 %
Walls 50 %
Floor 20 %

