

LUMI PRO G Series LED Flood Light

Next-generation lighting for outdoor spaces.

Project:

QTY:

Email:

Phone:

Overview:

With an IP rating of 66 and a full aluminum body housing, this durable and waterproof design makes the G series an incredible flood light specialized for outdoor lighting.

Highlights:

- Easy Mounting/Installation: knuckle mounting bracket allows for beam angle adjustment up to 360 degrees and illumination of the intended area.
- Color Temperature: glare-free light beam.
- Lumen Output: This fixture can provide up to 13500Lm and cover huge areas.
- An energy-saving lighting fixture: A 30W of LED flood light can replace a 150W of metal-halide.
- Weatherproof: With an IP rating of 66, this LED flood light fixture can withstand harsh weather conditions to protect against any ingress of dust or moisture.
- 5 years of manufacturer's warranty
- Beam angle: 110/150 degrees or more.
- Longer lasting: lifetime of 50,000 hours or more.
- Voltage Input: This fixture is applicable to a low voltage input of 120-277V.

Performance Data		Qualifications	
Watt Usage:	30-100W	Certifications: cETLus	Warranty: 5 year limited warranty. For terms visit www.poli-led.com/warranty
Color Temp:	3000-6500K		
CRI:	>70Ra		
Efficacy:	135Lm/w		
Chip:	SMD2835		
Beam Angle:	120°	Construction	
Lifetime:	>50,000 hours	Operating Temp. Range:	-20°C ~ +40°C
Electrical Data		Housing:	Full aluminum body
Input Voltage:	100-277V	Lens:	Low-Glare Poly Lens
Power Factor:	>90%	IP rating:	IP66
Dimming Functions:	Triac-Dimmable 10%~100%		



100W

30W



cETLus Listed Product is certified by one of the world's most difficult quality control laboratory indicating superior performance and longevity.



5 yr warranty we believe in our product quality and offer the warranty to prove it. Unlimited lifetime support is also included, call us anytime.



IP66 Rated Maximum protection against dust and water. Withstands all weather types with silicone sealed gaskets and tight manufacturing tolerances.

Model Number	Wattage	Total Lumen Output	Weight	Dimensions
F-G30-50K	30W	4050Lm	620G	150 x 159 x 57 mm
F-G50-50k	50W	6750Lm	620G	150 x 159 x 57 mm
F-G70-50K	70W	9450Lm	1350G	215 x 204 x 65 mm
F-G100-50K	100W	13500Lm	2350G	289 x 195 x 85 mm

Model Number	Input Voltage	Input Current	Input Power	Output Voltage	Output Current	Output Power
F-G30-50K	100-277V	136mA	30W	61-64V	450mA	~28.4W
F-G50-50k	100-277V	227mA	50W	61-64V	750mA	~47.2W
F-G70-50K	100-277V	318mA	70W	61-64V	1040mA	~65.5W
F-G100-50K	100-277V	455mA	100W	61-64V	1450mA	~91.35W



Knuckle mount provides direct junction box mounting

ORDERING

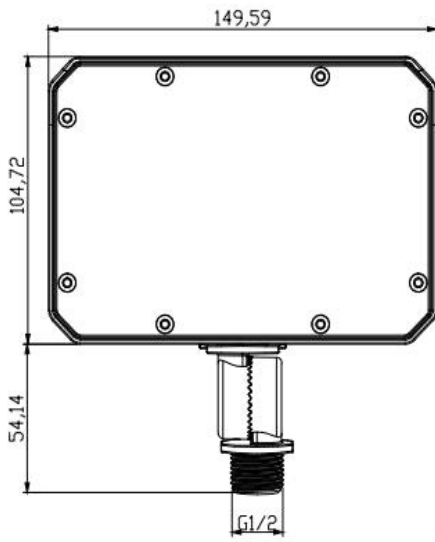
Example Model Number: F-G30-50K-BR

After selecting model number and filling out top right information, send completed PDF to sales@poliledsigns.com or your dedicated sales representative

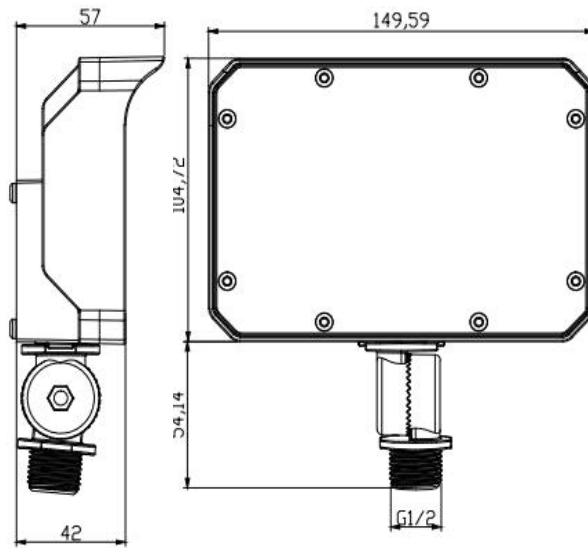
F-G

Series	Watt	Color Temp.	Sensor	Finish	
F-G	30 30 watt	30K 3000K	S Photocell Sensor (Dusk-To-Dawn) Blank No Sensor	BR Bronze	BK Black
	50 50 watt	40K 4000K		WH White	
	70 70 watt	50K 5000K		SL Silver	
	100 100 watt	65K 6500K		CU Custom	

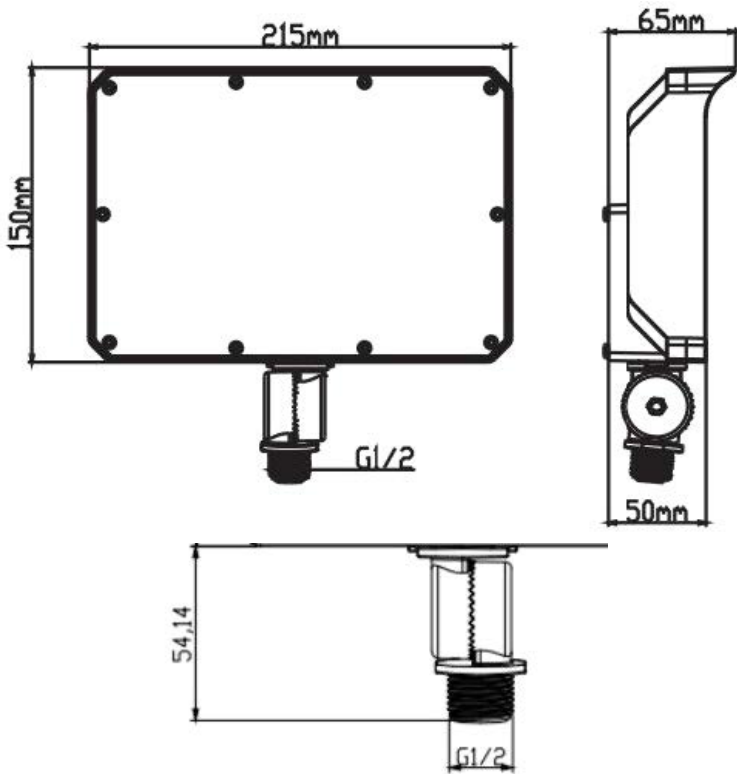
Dimensions



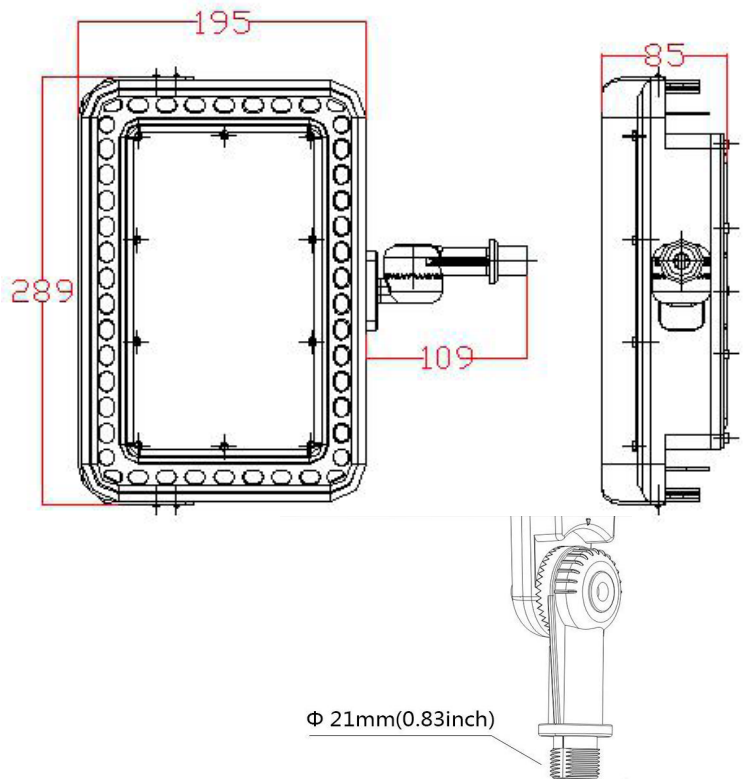
F-G30-50K



F-G50-50k



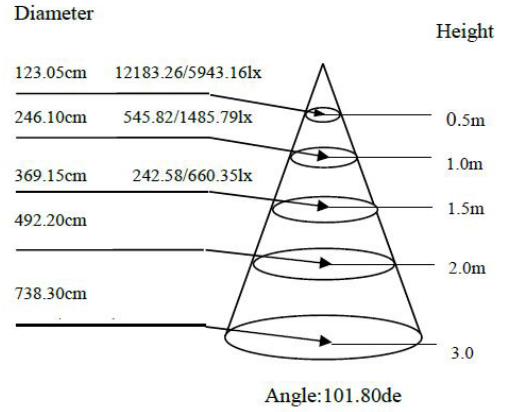
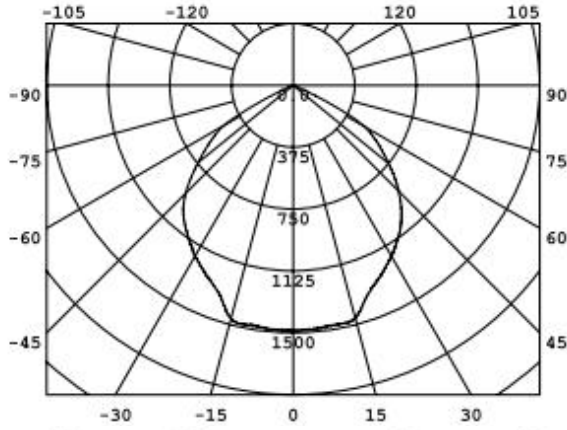
F-G70-50K



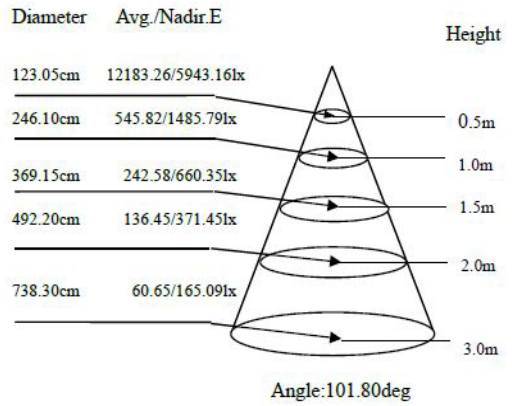
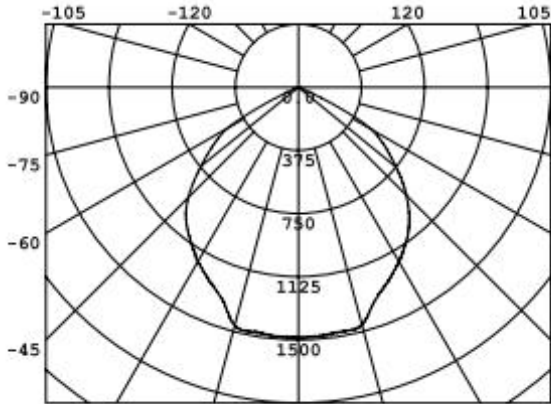
F-G100-50K

Photometric Data

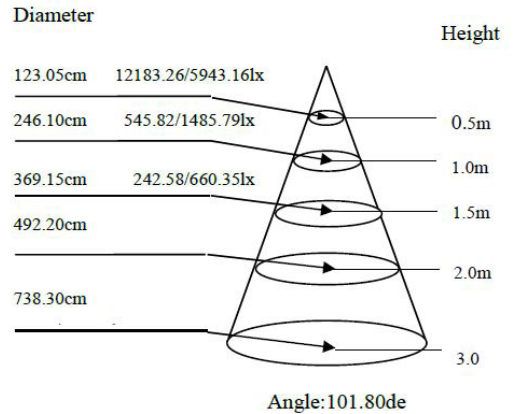
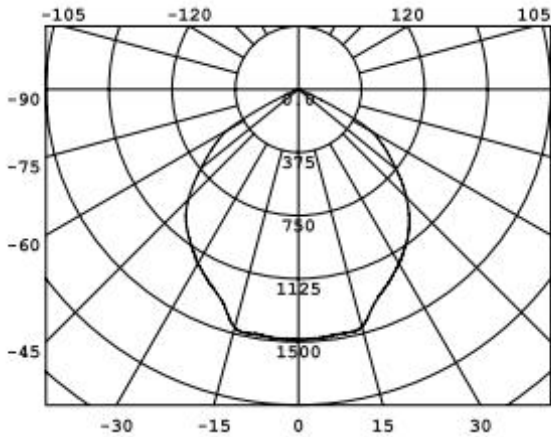
F-G30-50K



F-G50-50k



F-G70-50K



F-G100-50K

