

# LUMI PRO CD Series LED Commercial Downlight

Next-generation lighting for indoor spaces.

Project:

QTY:

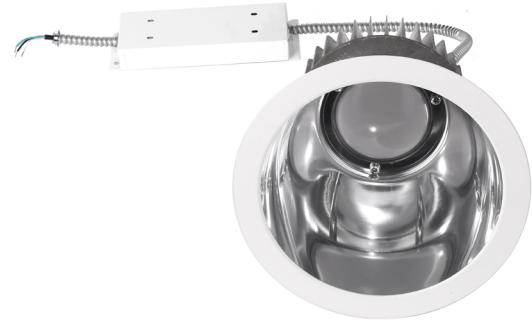
Email:

Phone:

## Overview:

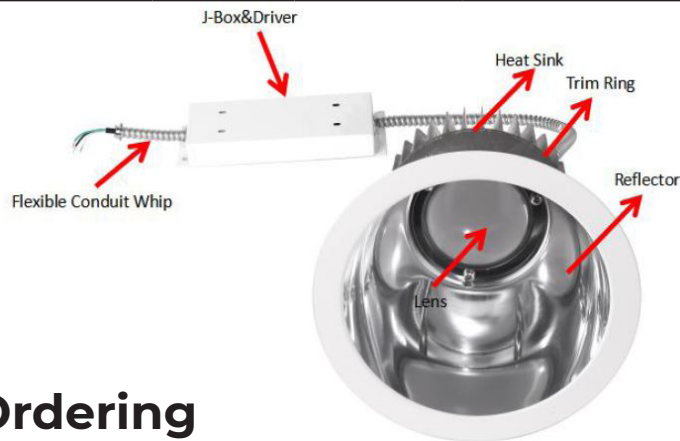
The CD series LED commercial downlight is a great option for large rooms and/or rooms with low ceilings. This recessed light blends in well with the ceiling, so it will not use as much space as traditional hanging light fixtures. This fixture is supplied with a quick connect-case and conduit, so that the downlight can be easily connected to the existing recessed fixture frame junction box. The driver is also accessible from below the ceiling and can be upgraded to accommodate future changes to the fixture or expansions.

- Supplied with a heavy gauge anodized aluminum reflector;
- Integral cast aluminum heat sink conducts heat away from LED light engine;
- Housing installed from below ceiling and secured in place;



LED Chip Info	Characteristics
<b>Watt Usage:</b> 30-40W	<b>Certifications:</b> ETL, Energy Star, FCC, Lighting Facts, LM79, LM80
<b>Color Temp:</b> 2,700K-5,000k	
<b>CRI:</b> >80	<b>Warranty:</b> 7 year limited warranty. For terms visit <a href="http://www.poli-ledsigns.com/warranty">www.poli-ledsigns.com/warranty</a>
<b>Lumens:</b> 2,800-4,000lm	
<b>Efficacy:</b> 100LM/W(±10%)	<b>Construction</b>
<b>Lifetime:</b> 50,000+ hours	
<b>Input Voltage:</b> 100-277VAC	<b>Operating Temp. Range</b> -20~+ 40C
<b>Replaces</b> HID/fluorescent indoor lighting	<b>Housing</b> Anodized aluminum reflector
	<b>Mounting</b> Mounting clamp
<b>Application:</b> Indoor areas where aesthetic appeal is important, such as large rooms or rooms with low ceilings where recessed lights blend well.	<b>IP rating</b> Non-water resistant

Product	Power	Lumen Output	Dimensions (MM)
A-CD-R30	30 W	2800 LM	230 x 213mm(9.05 x 8.39")
A-CD-R40	40 W	4000 LM	284 x 243mm(11.18 x 9.57")



## Ordering

Example Model Number: A-CD8"-R30-50K

### A-CD

Series	Diameter	Watt	Color Temp.
A-CD	8	30	27K
	8 inches	30 watt	2700K
	10	40	30K
	10 inches	40 watt	3000K
			40K
			4000K
			50K
			5000K



**cETLus Listed** Product is certified by one the world's most difficult quality control laboratory indicating superior performance and longevity.



**7 Year Warranty** We believe in our product quality and offer the warranty to prove it. Unlimited lifetime support is also included, call us anytime.



**Energy Star** a product must meet strict energy efficiency criteria set by the US Environmental Protection Agency or the US Department of Energy and uses less energy than a conventional fixture.



**FCC Certified** a certification mark in the United States which certifies that the electromagnetic interference from the device is under limits approved by the Federal Communications Commission.



**UL Listed** Product is certified by one the world's most difficult quality control laboratory indicating superior performance and longevity.



**Lighting Facts** The high performance and longevity of CFLs and LED lights encourage many business owners to install these lighting devices within their businesses.



**LM79 Approved** measures the electrical and photometric properties of LED products. luminous flux, electrical power, efficiency, chromaticity as well as the diffusion of luminous intensity.



**LM80 Approved** measures the overall maintenance of the luminous flux for a group of electroluminescent diodes (LED) at various operating temperatures.

