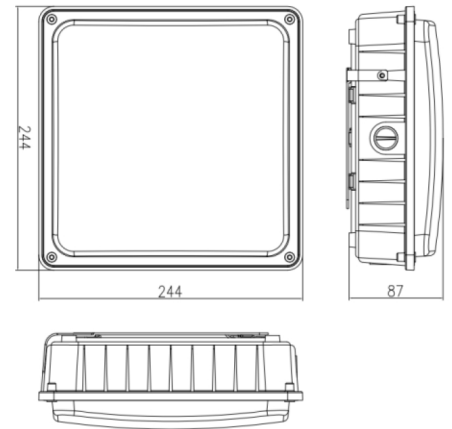


Introduction

The SP Series distills the benefits of the latest in LED technology into a high performance, high efficacy, long-life luminaire. It features a sleek, modern design and is carefully engineered to provide long-lasting, energy-efficient lighting with a variety of optical and control options for custom performance. The energy savings, long life and easy-to-install design of the Canopy make it the smart choice for building-mounted.

SP Series LED Canopy Light



ORDERING INFORMATION

EXAMPLE: 1-CP-SP45-50K



Series	Input	Power	Color	Options	Finish
45W	D 100-277VAC with driver on board	45W	30K 3000K 40K 4000K 45K 4500K	00 No DIMMING 10 0-10V DIMMING SR Motion Sensor	BR Brown WH White BL Black GR Gray
70W		70W	50K 5000K 57K 5700K		

REGULATORY & VOLUNTARY QUALIFICATIONS

- cETLus Listed.
- Suitable for wet locations.
- Luminaire and finish endurance tested to withstand ,3000 hours of elevated ambient salt fog conditions as defined in ASTM Standard B 117.
- Meets FCC Part 15 standards for conducted and radiated emissions.
- RoHS compliant. Consult factory for additional details.
- DesignLights Consortium®(DLC)qualified product. Not all versions of this product may be DLC qualified . Please check the DLC Qualified Products List at www.designlights.org to confirm which versions are qualified.

Performance Data

Lumen Output

Lumen values are from photometric tests performed in accordance with IESNA LM-79-08. Data is considered to be representative of the configurations shown, within the tolerances allowed by Lighting Facts. Actual performance may differ as a result of enduser environment and application. Actual wattage may differ by +/- 10% when operating between 120-277V +/- 10%. Contact factory for performance data on any configurations not shown here.

SP DOB Series Performance Data

MODEL	LEDS	LED	RATED	3000K,70CRT		4000K,70CRT		4500K,70CRT		5000K,70CRT		5700K,70CRT	
		CURRE	WATTS	LUMENS	LPW	LUMENS	LPW	LUMENS	LPW	LUMENS	LPW	LUMENS	LPW
45W	96	0.07A	45W	5037	112	5142	114	5185	115	5180	115	5275	117
70W	144	0.07A	70W	7750	111	7940	113	7980	114	8020	114	8140	116

Electrical Data

MODEL	LEDS	LED CURRENT	SYSTEM WATTS	Current			
				120	208	240	277
45W	96	0.07A	45W	0.38	0.23	0.20	0.17
70W	144	0.07A	70W	0.59	0.33	0.29	0.25

Lumen Ambient Temperature (LAT) Multipliers

Ambient	Lumen Multiplier	
0°C	32°F	1.02
10°C	50°F	1.01
20°C	68°F	1.00
25°C	77°F	1.00
30°C	86°F	1.00
40°C	104°F	0.99

ELECTRICAL SYSTEM

- Input Voltage: 120-277V , 50/60Hz
- Designed with 0-10V dimming capabilities. Controls by others.
- Power Factor : > 0.9 at full load
- Total Harmonic Distortion: < 20% at full load
- Integral 10kV surge suppression protection standar(options)
- Luminaire is qualified to operate at ambient temperatures of -40°C to +50°C.

FINISH

Exterior parts are protected by Super Durable thermoset powder coat finish that provides superior resistance to corrosion and weathering. A tightly controlled multi-stage process ensures a minimum 3 mils thickness for a finish that can withstand extreme climate changes without cracking or peeling. Available in textured and non-textured finishes.

WARRANTY

- 5 year limited warranty is standard on luminaire and components .