

LUMI PRO RM Series LED Area Light

Next-generation lighting for outdoor spaces.

Project:
QTY:
Email:
Phone:

Overview:

The RM series is meant to impress. Each component is made by the top manufacturer in their product segment. Expect lighting protection, 10 year warranties, DLC Premium, and much more from the best street and parking lot fixtures to have hit the market.

Highlights:

- 130lm/w or 150lm/w
- UL Listed and DLC Premium fixture for maximum rebate
- 0-10V dimmable
- CRI >90 and PF >90
- 10 year warranty
- 10kV surge protection and 20kV lightning arrester
- Suitable for wet locations

LED Chip Info	Characteristics
Watt Usage: 60-300W	Certifications: UL, DLC Premium
Color Temp: Daylight 4K-5.7k	Warranty: 10 year limited warranty. For terms visit www.poli-ledsigns.com/warranty
CRI: >70	
Lumens: up to 45,000	
Efficacy: 130-150lm/w	
Lifetime: 50,000+ hours	
Input Voltage: 100-277VAC	
Replaces	Construction
General Area Lighting	Operating Temp. Range -20°C ~ +40°C
	Housing Die cast aluminum
	Mounting Slip fitter/Wall and pole
	Lens Type 1-5
	IP rating IP65

Power	Lumen Output	Replaces HID	LED Quantity	Dimensions
60 W	7800 LM	180 W	68	21.8" x 13.2"
100 W	13000 LM	320 W	98	21.8" x 13.2"
120 W	15600 LM	400 W	126	21.8" x 13.2"
150 W	19500 LM	450 W	154	21.8" x 13.2"
200 W	26000 LM	600 W	196	29.3" x 13.2"
240 W	31200 LM	750 W	252	29.3" x 13.2"
300 W	39000 LM	1000 W	308	29.3" x 13.2"

Ordering

Example Model Number: 1-ST-RM100-50K-B-SC

1-ST-RM

Series	Watt		Color Temp.	Mounting Type	Sensor	Distribution		Finish	
1-ST-RM	60	200	40K	A	S	T1	T5	WH	BK
	60 watt	200 watt	4000K	Slip Fitter	Photocell Sensor (Dusk-To-Dawn)	Type 1	Type 5	White	Black
	100	240	45K	B	MS	T2		BR	
	100 watt	240 watt	4500K	Adjustable Square Pole/Wall	Motion Sensor	Type 2		Bronze	
	120	300	50K	C	Blank	T3		SL	
	120 watt	300 watt	5000K	Square Pole/Wall	Shorting cap	Type 3		Silver	
	150		57K		Blank	T4		CU	
	150 watt		5700K		No Sensor	Type 4		Custom	



200 W - 300 W

60 W - 150 W



UL Listed Product is certified by one the world's most difficult quality control laboratory indicating superior performance and longevity.



Ten year warranty we believe in our product quality and offer the warranty to prove it. Unlimited lifetime support is also included, call us anytime.



IP65 Rated Maximum protection against dust and water. Withstands all weather types with silicone sealed gaskets and tight manufacturing tolerances.



DLC Certified Product has been approved by a DLC laboratory conforming to their strict performance and energy efficiency standards.

Accessories

Mounts:



Direct (DI)



Slip Fitter (SF)



Square / Round Pole



Trunnion (TR)



U Bracket

Additional Options:



Microwave motion sensor



Lightning arrester



Socket base of photocell

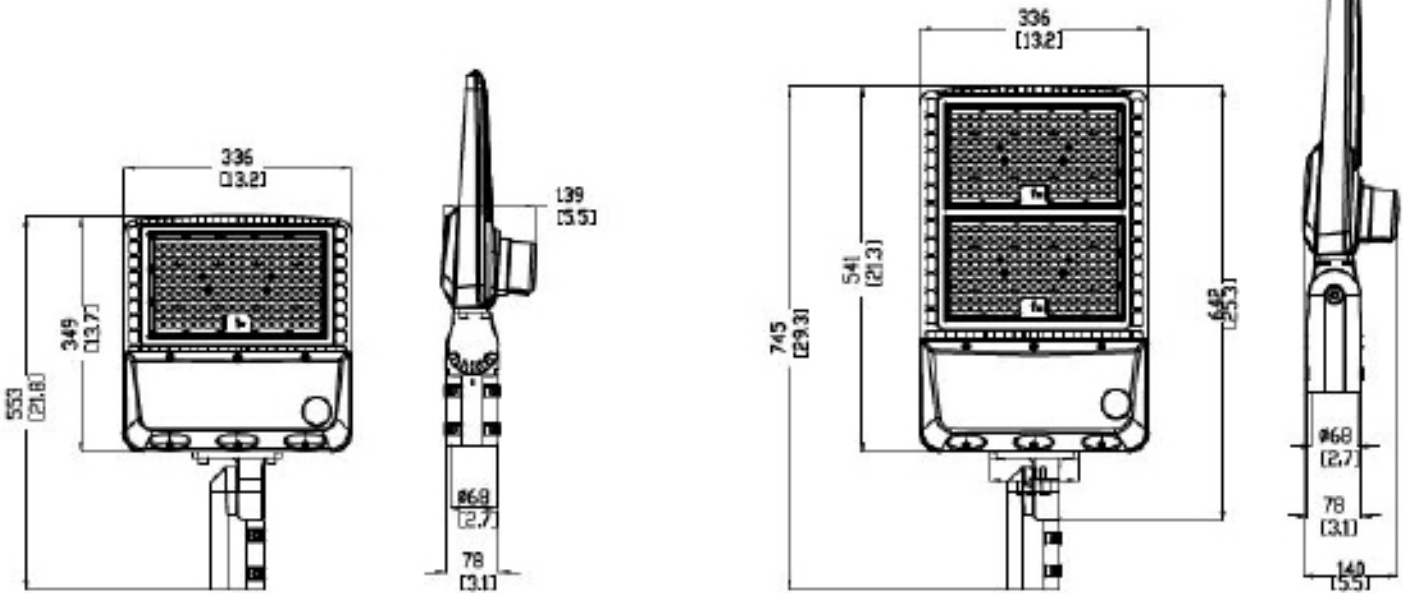


Shorting cap



Photocell (Dusk to dawn)

Dimensions:



60-150W

200-300W